

# euroSHAPE

## S1 38x17

europanel  
acoustic solutions

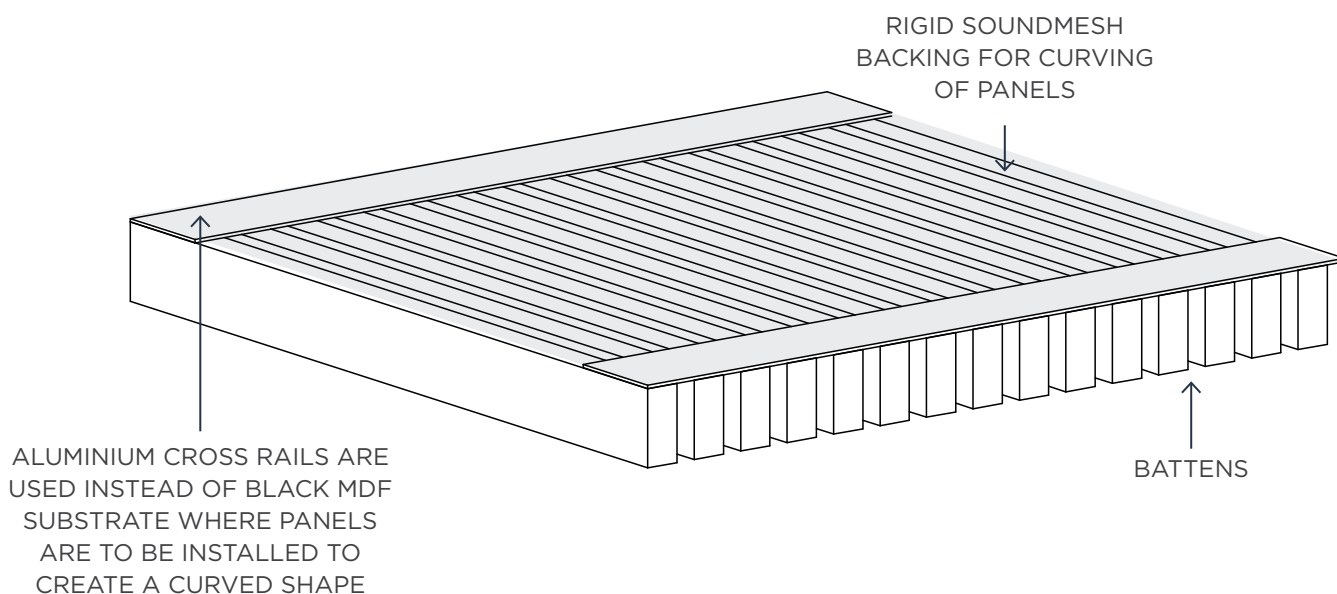
### DESIGN SPECS

#### AVAILABLE IN:

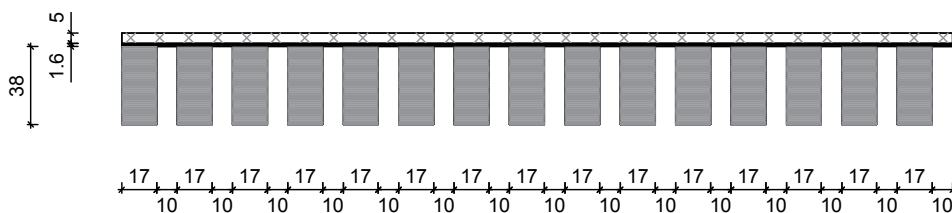
- Solid timber with clear satin finish
- Solid timber with white wash finish
- Solid timber with stained finishes with clear satin
- Any polyurethane colour from the Dulux range with satin finish
- Prefinished laminate colours on EO MDF battens

#### GENERAL WEIGHTS PER M<sup>2</sup>:

Western Red Cedar	13kg/m <sup>2</sup>
American White Oak & Tasmanian Oak	21kg/m <sup>2</sup>
Spotted Gum & Blackbutt	27kg/m <sup>2</sup>
Polyurethane on MDF	24kg/m <sup>2</sup>
Prefinished laminate	24kg/m <sup>2</sup>



**BATTEN SIZES AND SPACINGS CAN BE CUSTOMISED TO SUIT YOUR DESIGN CONCEPT**



### How to specify

EXAMPLE SPECIFICATION:  
**euroSHAPE-S1-38x17-T-TAS OAK**

PRODUCT	DESIGN	FINISH	OTHER
<b>ES</b> euroSHAPE	<b>S#</b> Standard <b>C#</b> Custom	<b>T</b> Timber <b>PR</b> Prefinished <b>PO</b> Polyurethane	<b>?</b> Species/colour

COMPLETE YOUR DESIGN WITH **EUROPANEL**  
HELPLINE 02 8284 6410 [WWW.EUROPANEL.COM.AU](http://WWW.EUROPANEL.COM.AU)

# euroSHAPE

## S2 63x17

### DESIGN SPECS

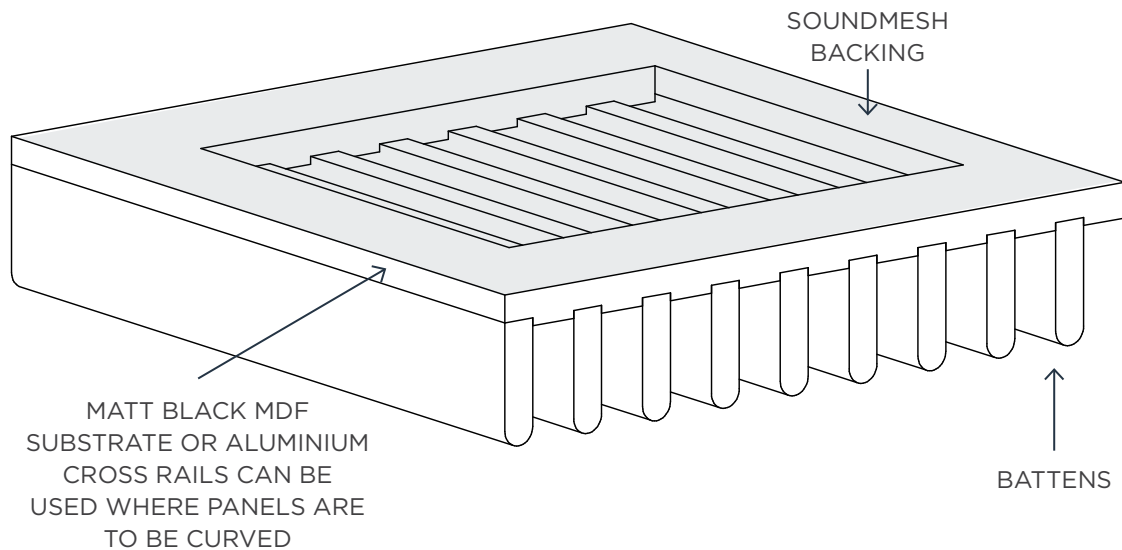
**europanel**  
acoustic solutions

#### AVAILABLE IN:

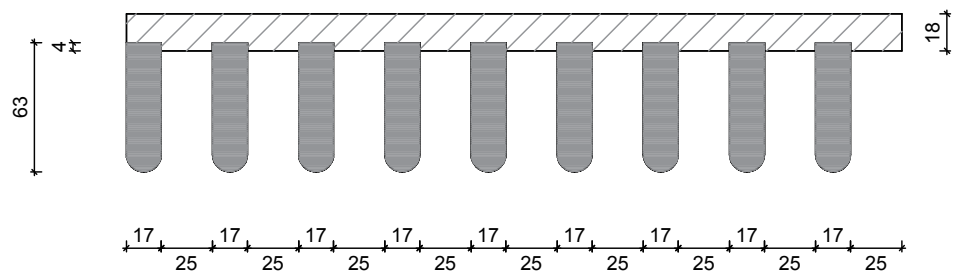
- Solid timber with clear satin finish
- Solid timber with white wash finish
- Solid timber with stained finishes with clear satin
- Any polyurethane colour from the Dulux range with satin finish

#### GENERAL WEIGHTS PER M<sup>2</sup>:

Western Red Cedar	15kg/m <sup>2</sup>
American White Oak & Tasmanian Oak	23kg/m <sup>2</sup>
Spotted Gum & Blackbutt	29kg/m <sup>2</sup>
Polyurethane on MDF	27kg/m <sup>2</sup>



**BATTEN SIZES AND SPACINGS CAN BE CUSTOMISED TO SUIT YOUR DESIGN CONCEPT**



### How to specify

EXAMPLE SPECIFICATION:

**euroSHAPE-S2-63x17-T-TAS OAK**

PRODUCT	DESIGN	FINISH	OTHER
<b>ES</b> euroSHAPE	<b>S#</b> Standard	<b>T</b> Timber	<b>?</b> Species/colour
	<b>C#</b> Custom	<b>PO</b> Polyurethane	

COMPLETE YOUR DESIGN WITH **EUROPANEL**  
HELPLINE 02 8284 6410 [WWW.EUROPANEL.COM.AU](http://WWW.EUROPANEL.COM.AU)

# euroSHAPE

## S2 40x28

### DESIGN SPECS

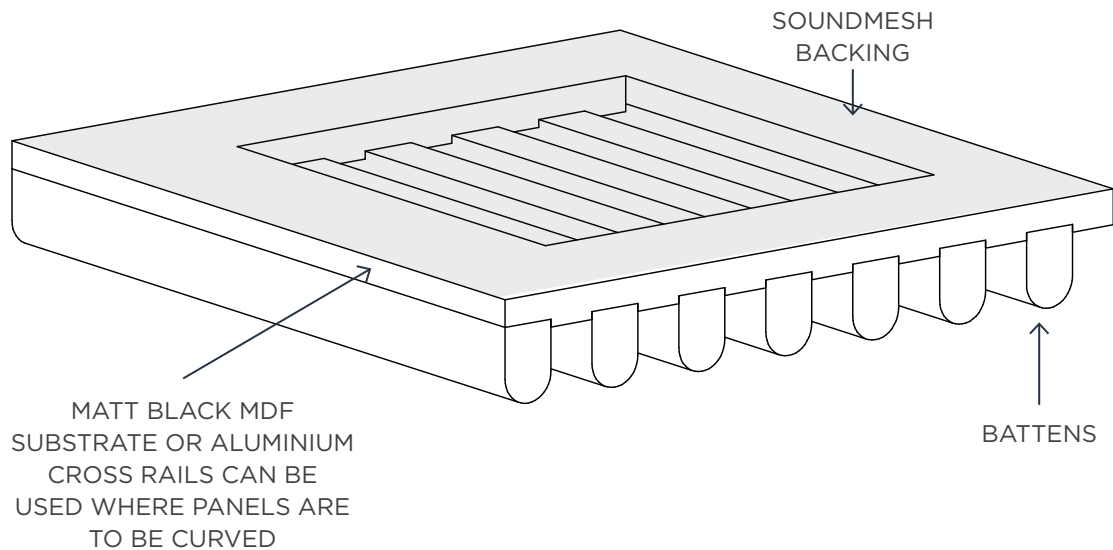
**europanel**  
acoustic solutions

#### AVAILABLE IN:

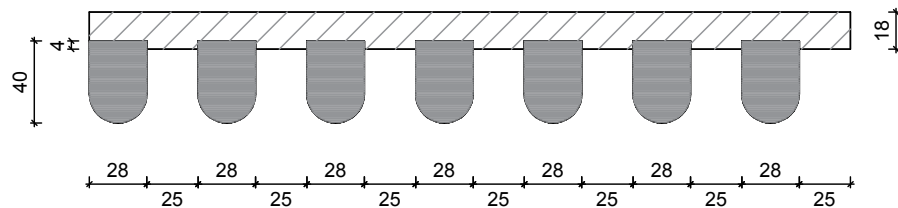
- Solid timber with clear satin finish
- Solid timber with white wash finish
- Solid timber with stained finishes with clear satin
- Any polyurethane colour from the Dulux range with satin finish

#### GENERAL WEIGHTS PER M<sup>2</sup>:

Western Red Cedar	14kg/m <sup>2</sup>
American White Oak & Tasmanian Oak	21kg/m <sup>2</sup>
Spotted Gum & Blackbutt	27kg/m <sup>2</sup>
Polyurethane on MDF	22kg/m <sup>2</sup>



**BATTEN SIZES AND SPACINGS CAN BE CUSTOMISED TO SUIT YOUR DESIGN CONCEPT**



### How to specify

EXAMPLE SPECIFICATION:

**euroSHAPE-S2-40x28-T-TAS OAK**

PRODUCT	DESIGN	FINISH	OTHER
<b>ES</b> euroSHAPE	<b>S#</b> Standard	<b>T</b> Timber	<b>?</b> Species/colour
	<b>C#</b> Custom	<b>PO</b> Polyurethane	

COMPLETE YOUR DESIGN WITH **EUROPANEL**  
HELPLINE 02 8284 6410 [WWW.EUROPANEL.COM.AU](http://WWW.EUROPANEL.COM.AU)

# euroSHAPE

## S2 38x38

DESIGN SPECS

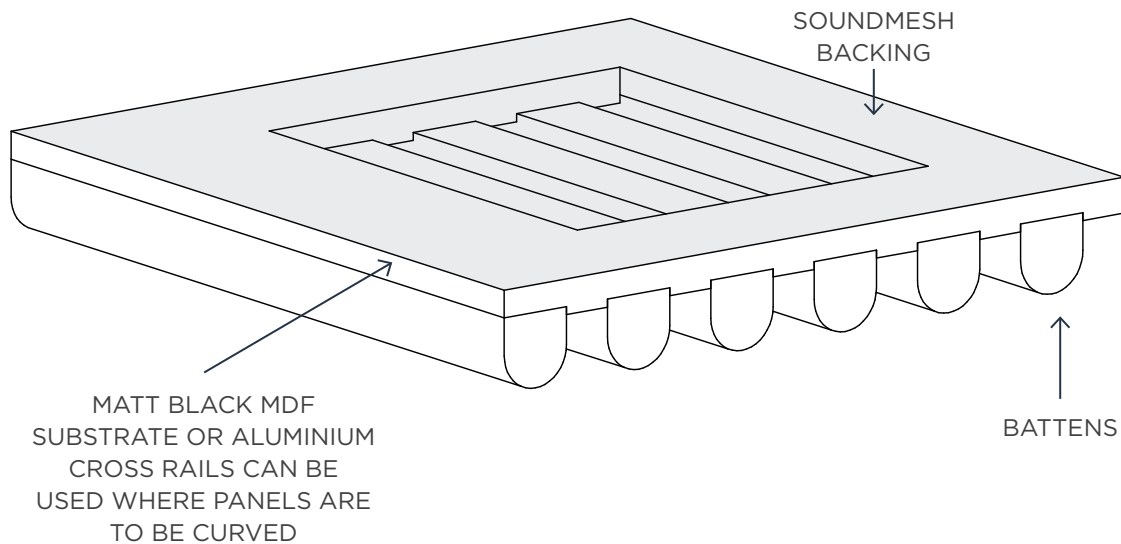
europanel  
acoustic solutions

### AVAILABLE IN:

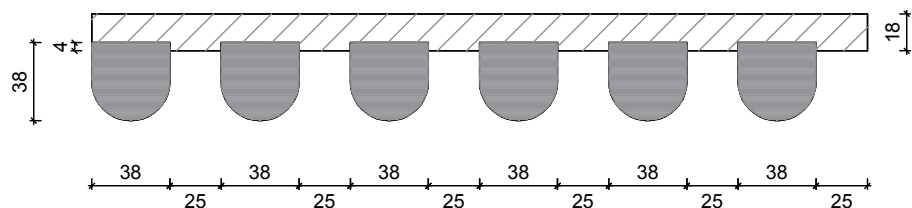
- Solid timber with clear satin finish
- Solid timber with white wash finish
- Solid timber with stained finishes with clear satin
- Any polyurethane colour from the Dulux range with satin finish

### GENERAL WEIGHTS PER M<sup>2</sup>:

Western Red Cedar	14kg/m <sup>2</sup>
American White Oak & Tasmanian Oak	21kg/m <sup>2</sup>
Spotted Gum & Blackbutt	27kg/m <sup>2</sup>
Polyurethane on MDF	22kg/m <sup>2</sup>



**BATTEN SIZES AND SPACINGS CAN BE CUSTOMISED TO SUIT YOUR DESIGN CONCEPT**



### How to specify

EXAMPLE SPECIFICATION:

**euroSHAPE-S2-38x38-T-TAS OAK**

PRODUCT	DESIGN	FINISH	OTHER
<b>ES</b> euroSHAPE	<b>S#</b> Standard	<b>T</b> Timber	<b>?</b> Species/colour
	<b>C#</b> Custom	<b>PO</b> Polyurethane	

COMPLETE YOUR DESIGN WITH **EUROPANEL**  
HELPLINE 02 8284 6410 [WWW.EUROPANEL.COM.AU](http://WWW.EUROPANEL.COM.AU)

# euroSHAPE

## S3 63x17

### DESIGN SPECS

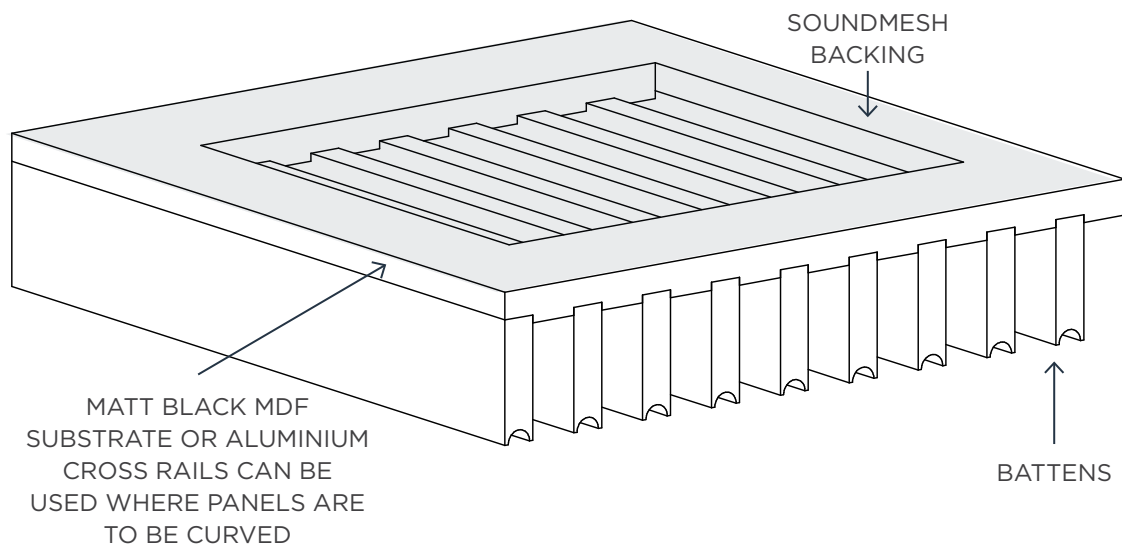
**europanel**  
acoustic solutions

#### AVAILABLE IN:

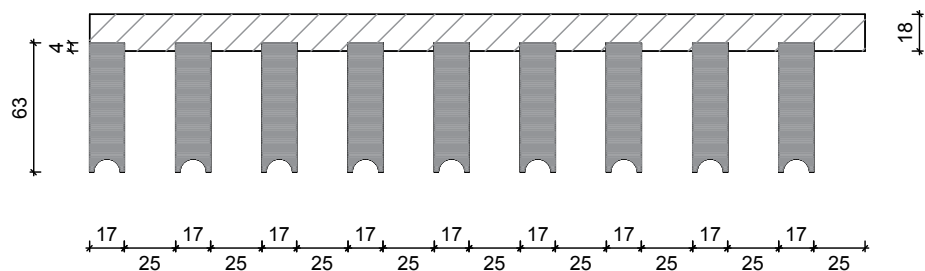
- Solid timber with clear satin finish
- Solid timber with white wash finish
- Solid timber with stained finishes with clear satin
- Any polyurethane colour from the Dulux range with satin finish

#### GENERAL WEIGHTS PER M<sup>2</sup>:

Western Red Cedar	15kg/m <sup>2</sup>
American White Oak & Tasmanian Oak	23kg/m <sup>2</sup>
Spotted Gum & Blackbutt	29kg/m <sup>2</sup>
Polyurethane on MDF	27kg/m <sup>2</sup>



**BATTEN SIZES AND SPACINGS CAN BE CUSTOMISED TO SUIT YOUR DESIGN CONCEPT**



### How to specify

EXAMPLE SPECIFICATION:

**euroSHAPE-S3-63x17-T-TAS OAK**

PRODUCT	DESIGN	FINISH	OTHER
<b>ES</b> euroSHAPE	<b>S#</b> Standard <b>C#</b> Custom	<b>T</b> Timber <b>PO</b> Polyurethane	<b>?</b> Species/colour

COMPLETE YOUR DESIGN WITH **EUROPANEL**  
HELPLINE 02 8284 6410 [WWW.EUROPANEL.COM.AU](http://WWW.EUROPANEL.COM.AU)

# euroSHAPE

## S3 40x28

### DESIGN SPECS

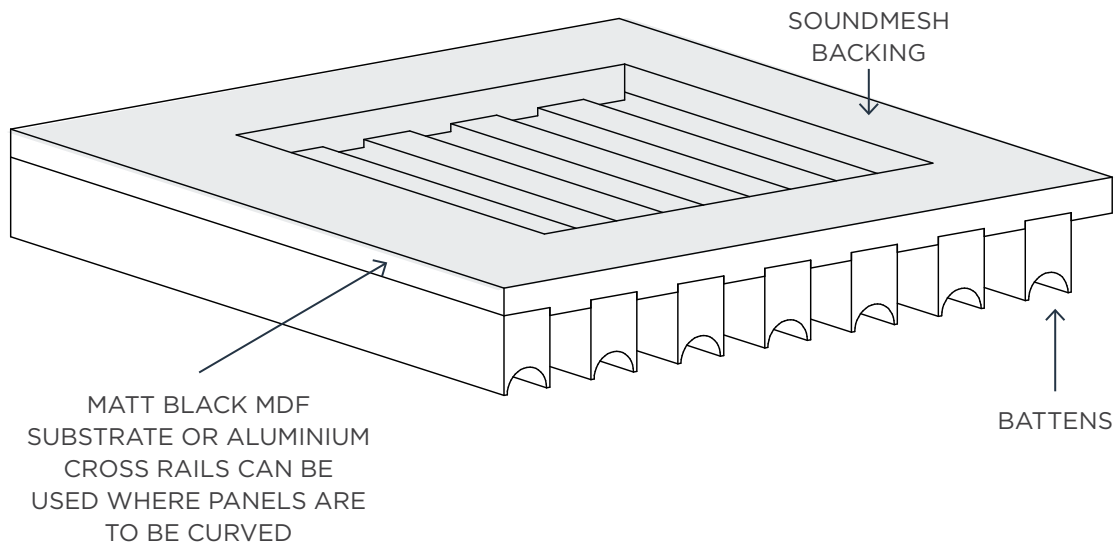
**europanel**  
acoustic solutions

#### AVAILABLE IN:

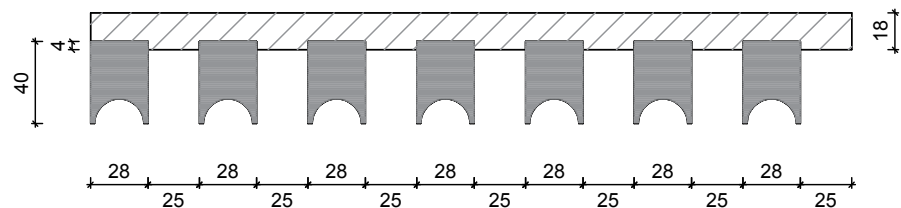
- Solid timber with clear satin finish
- Solid timber with white wash finish
- Solid timber with stained finishes with clear satin
- Any polyurethane colour from the Dulux range with satin finish

#### GENERAL WEIGHTS PER M<sup>2</sup>:

Western Red Cedar	14kg/m <sup>2</sup>
American White Oak & Tasmanian Oak	20kg/m <sup>2</sup>
Spotted Gum & Blackbutt	25kg/m <sup>2</sup>
Polyurethane on MDF	20kg/m <sup>2</sup>



**BATTEN SIZES AND SPACINGS CAN BE CUSTOMISED TO SUIT YOUR DESIGN CONCEPT**



### How to specify

EXAMPLE SPECIFICATION:

**euroSHAPE-S3-40x28-T-TAS OAK**

PRODUCT	DESIGN	FINISH	OTHER
<b>ES</b> euroSHAPE	<b>S#</b> Standard	<b>T</b> Timber	<b>?</b> Species/colour
	<b>C#</b> Custom	<b>PO</b> Polyurethane	

COMPLETE YOUR DESIGN WITH **EUROPANEL**  
HELPLINE 02 8284 6410 [WWW.EUROPANEL.COM.AU](http://WWW.EUROPANEL.COM.AU)

# euroSHAPE

## S3 38x38

### DESIGN SPECS

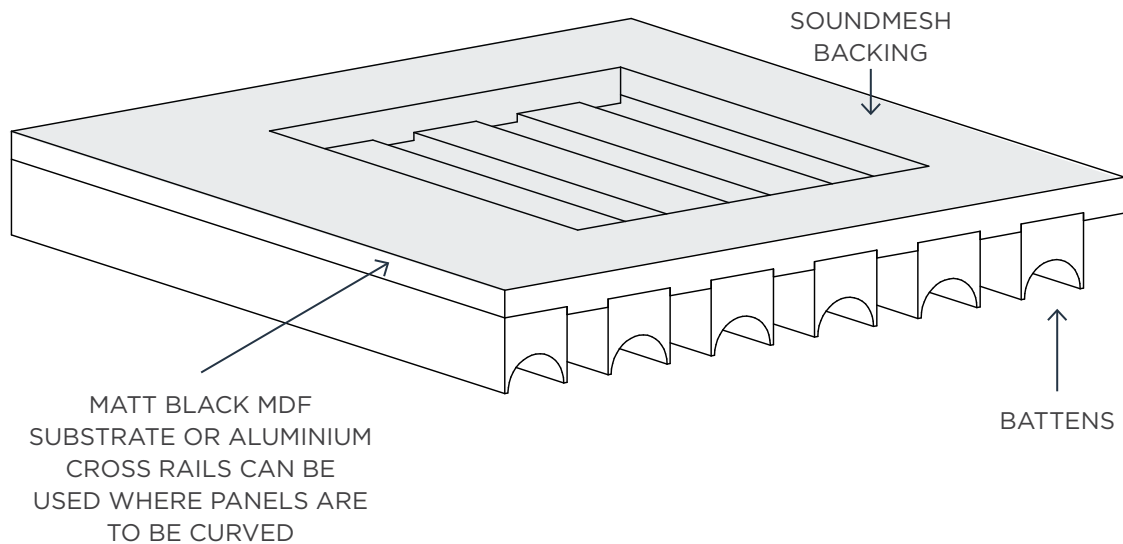
**europanel**  
acoustic solutions

#### AVAILABLE IN:

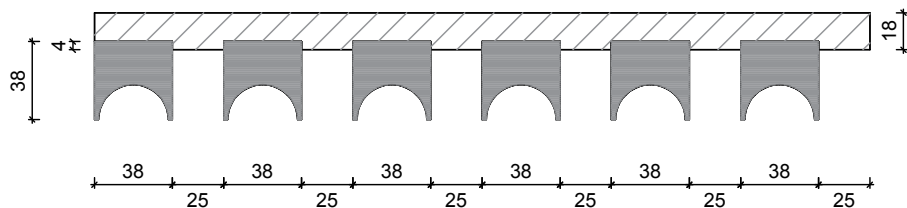
- Solid timber with clear satin finish
- Solid timber with white wash finish
- Solid timber with stained finishes with clear satin
- Any polyurethane colour from the Dulux range with satin finish

#### GENERAL WEIGHTS PER M<sup>2</sup>:

Western Red Cedar	15kg/m <sup>2</sup>
American White Oak & Tasmanian Oak	23kg/m <sup>2</sup>
Spotted Gum & Blackbutt	29kg/m <sup>2</sup>
Polyurethane on MDF	27kg/m <sup>2</sup>



**BATTEN SIZES AND SPACINGS CAN BE CUSTOMISED TO SUIT YOUR DESIGN CONCEPT**



### How to specify

EXAMPLE SPECIFICATION:  
**euroSHAPE-S3-38x38-T-TAS OAK**

PRODUCT	DESIGN	FINISH	OTHER
<b>ES</b> euroSHAPE	<b>S#</b> Standard	<b>T</b> Timber	<b>?</b> Species/colour
	<b>C#</b> Custom	<b>PO</b> Polyurethane	

COMPLETE YOUR DESIGN WITH **EUROPANEL**  
HELPLINE 02 8284 6410 [WWW.EUROPANEL.COM.AU](http://WWW.EUROPANEL.COM.AU)

# euroSHAPE S4 Custom

## DESIGN SPECS

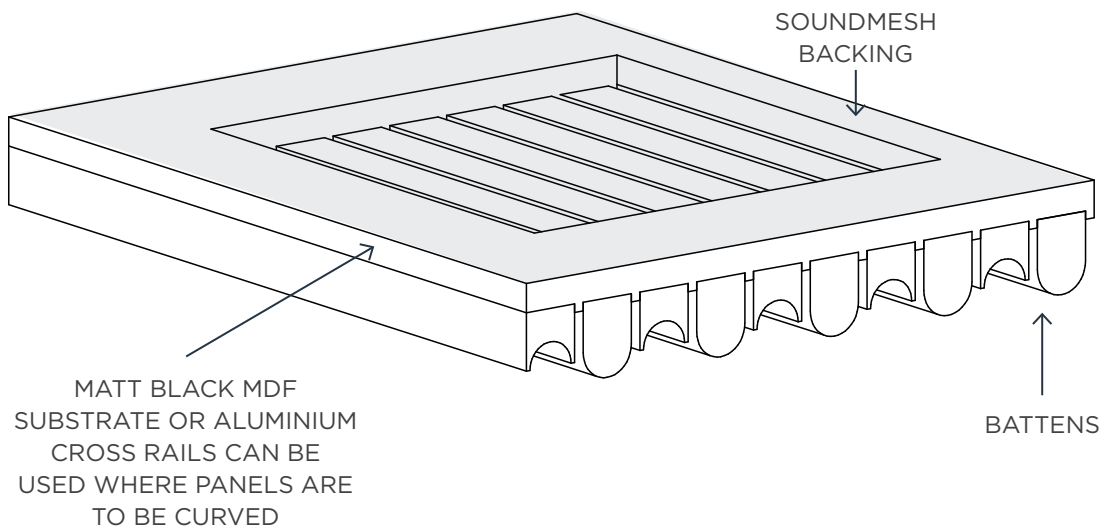
**europanel**  
acoustic solutions

### AVAILABLE IN:

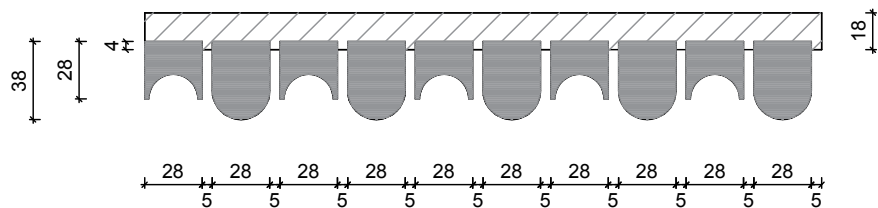
- Solid timber with clear satin finish
- Solid timber with white wash finish
- Solid timber with stained finishes with clear satin
- Any polyurethane colour from the Dulux range with satin finish

### GENERAL WEIGHTS PER M<sup>2</sup>:

Western Red Cedar	16kg/m <sup>2</sup>
American White Oak & Tasmanian Oak	25kg/m <sup>2</sup>
Spotted Gum & Blackbutt	30kg/m <sup>2</sup>
Polyurethane on MDF	26kg/m <sup>2</sup>



**BATTEN SIZES AND SPACINGS CAN BE CUSTOMISED TO SUIT YOUR DESIGN CONCEPT**



### How to specify

EXAMPLE SPECIFICATION:

**euroSHAPE-S4Custom-38x28+28x28-T-TAS OAK**

PRODUCT	DESIGN	FINISH	OTHER
<b>ES</b> euroSHAPE	<b>S#</b> Standard	<b>T</b> Timber	<b>?</b> Species/colour
	<b>C#</b> Custom	<b>PO</b> Polyurethane	

COMPLETE YOUR DESIGN WITH **EUROPANEL**  
HELPLINE 02 8284 6410 [WWW.EUROPANEL.COM.AU](http://WWW.EUROPANEL.COM.AU)