

euroSHAPE S4 Custom

DESIGN SPECS

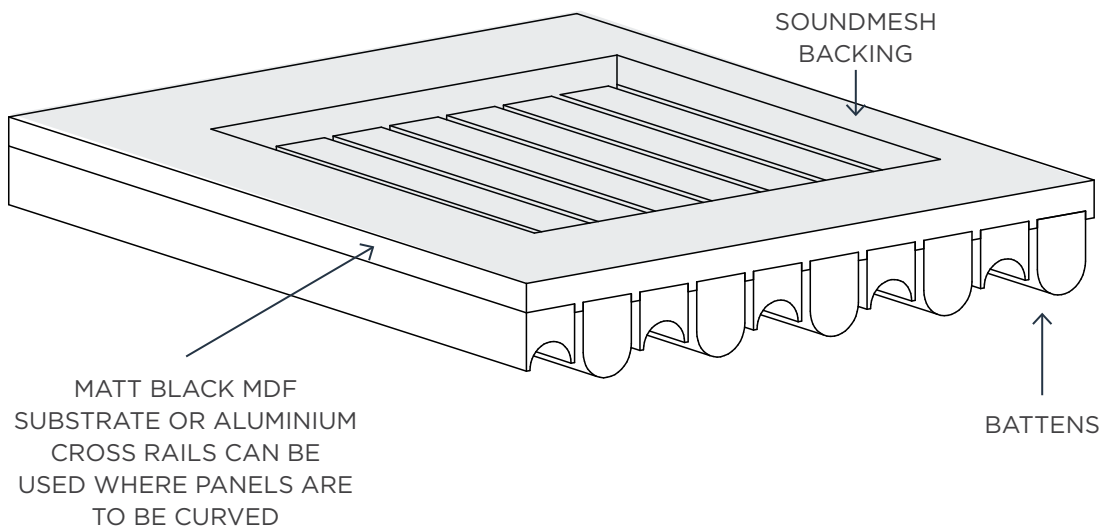
europanel
acoustic solutions

AVAILABLE IN:

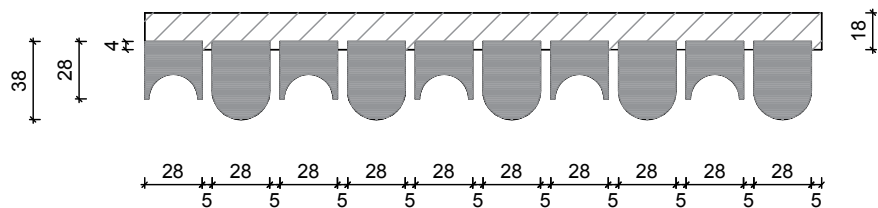
- Solid timber with clear satin finish
- Solid timber with white wash finish
- Solid timber with stained finishes with clear satin
- Any polyurethane colour from the Dulux range with satin finish

GENERAL WEIGHTS PER M²:

Western Red Cedar	16kg/m ²
American White Oak & Tasmanian Oak	25kg/m ²
Spotted Gum & Blackbutt	30kg/m ²
Polyurethane on MDF	26kg/m ²



BATTEN SIZES AND SPACINGS CAN BE CUSTOMISED TO SUIT YOUR DESIGN CONCEPT



How to specify

EXAMPLE SPECIFICATION:

euroSHAPE-S4Custom-38x28+28x28-T-TAS OAK

PRODUCT	DESIGN	FINISH	OTHER
ES euroSHAPE	S# Standard	T Timber	? Species/colour
	C# Custom	PO Polyurethane	

COMPLETE YOUR DESIGN WITH **EUROPANEL**
HELPLINE 02 8284 6410 WWW.EUROPANEL.COM.AU