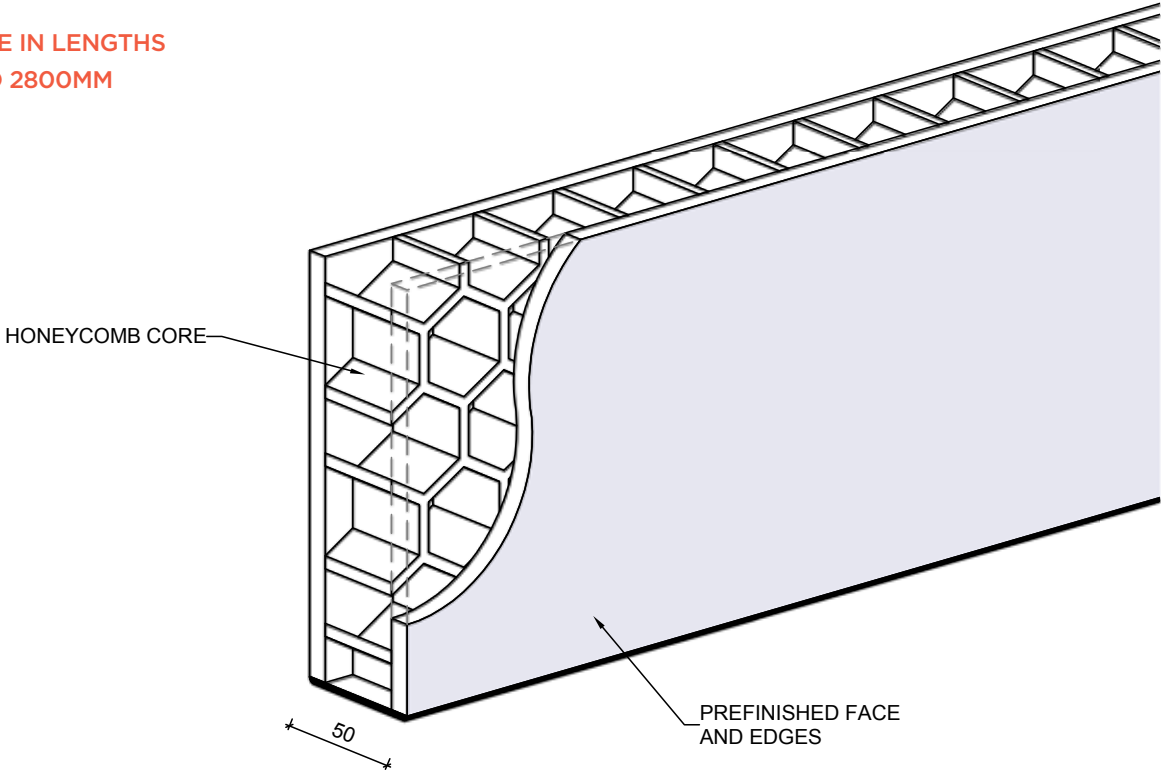


2. cardboard core substrate

euroSpline is available in a unique Honeycomb Cardboard Core substrate. This lightweight beam has thin side walls that can be finished in a range of prefinished laminate colours, shown below. Due to its increased lightweight capabilities, the euroSpline Cardboard Core substrate is perfect for large sized beam designs,

AVAILABLE IN LENGTHS
UP TO 2800MM



Colours & finishes

