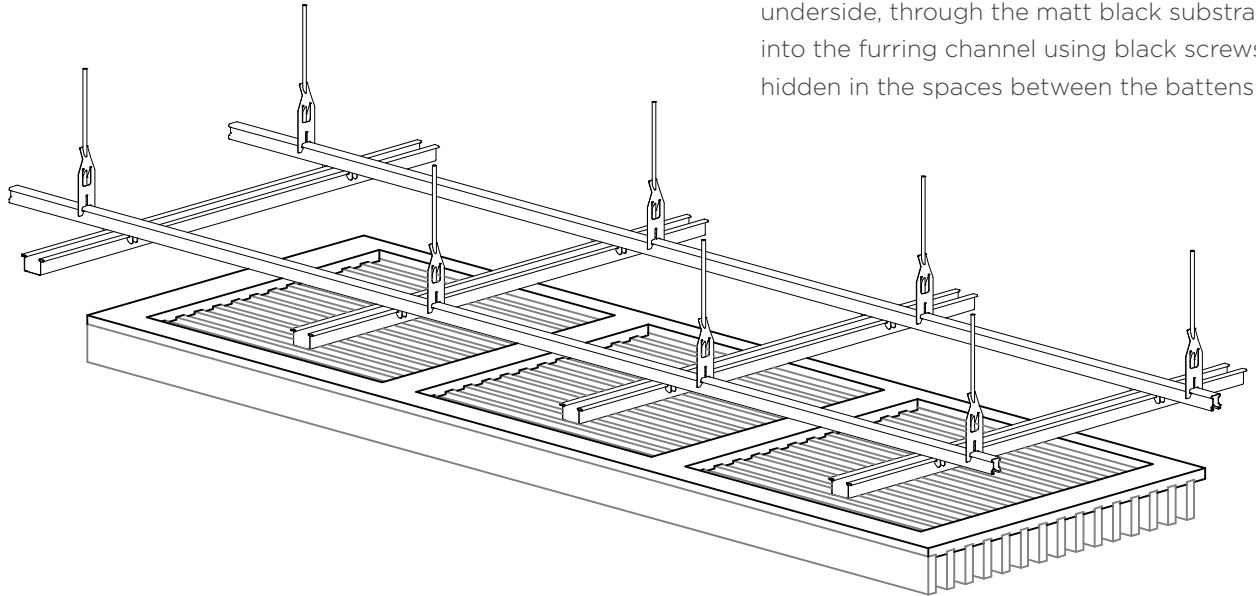


# installation info

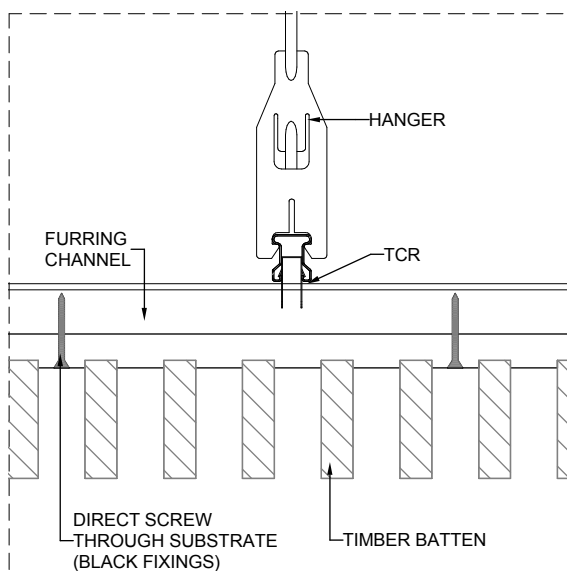
## EUROBLADE S1, S2, S3 TO CEILINGS

### Direct screw fix to grid - from below

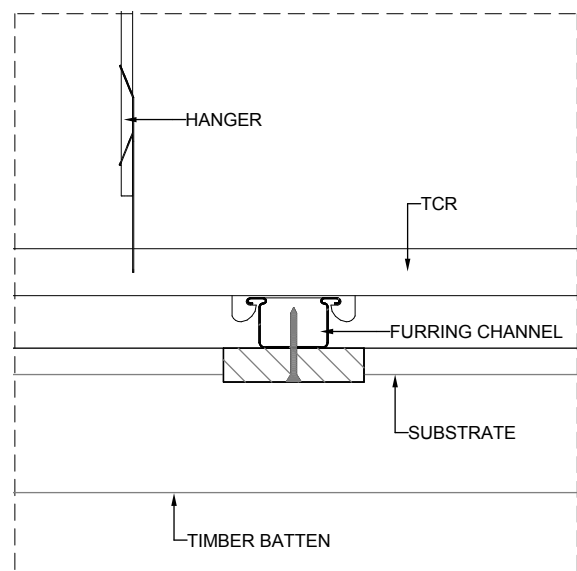


Panels are secured by fixing from the underside, through the matt black substrate into the furring channel using black screws hidden in the spaces between the battens.

### Plan section showing direct screw fix to grid - from below



END SECTION



SIDE SECTION

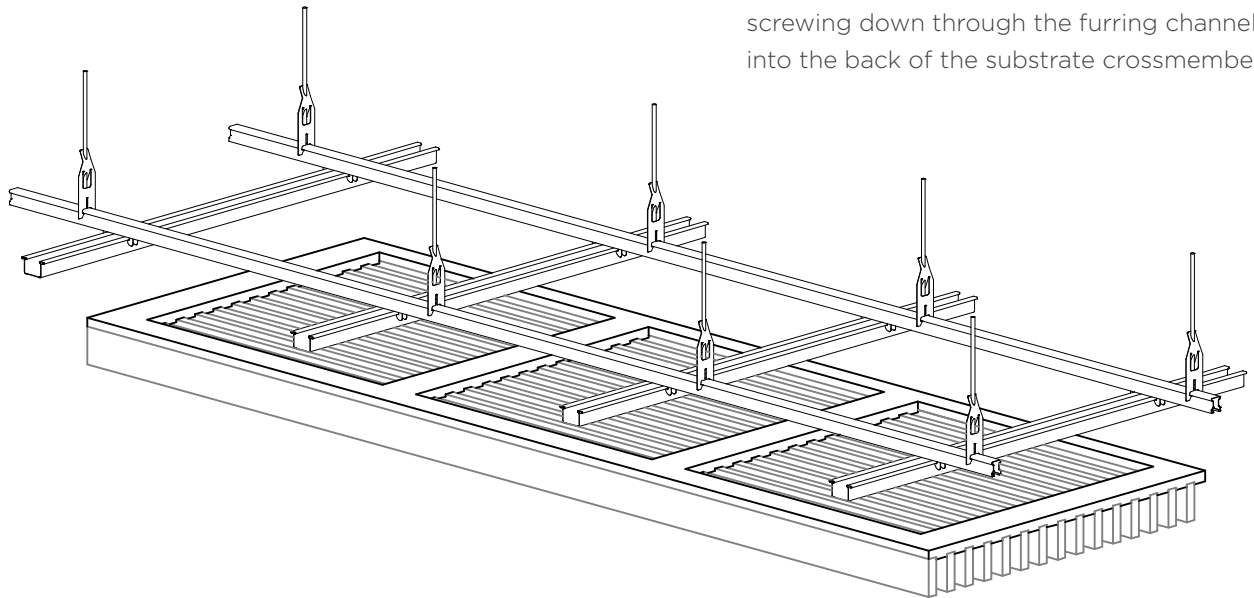
COMPLETE YOUR DESIGN WITH **EUROPANEL**  
HELPLINE 02 8284 6410 [WWW.EUROPANEL.COM.AU](http://WWW.EUROPANEL.COM.AU)



# installation info

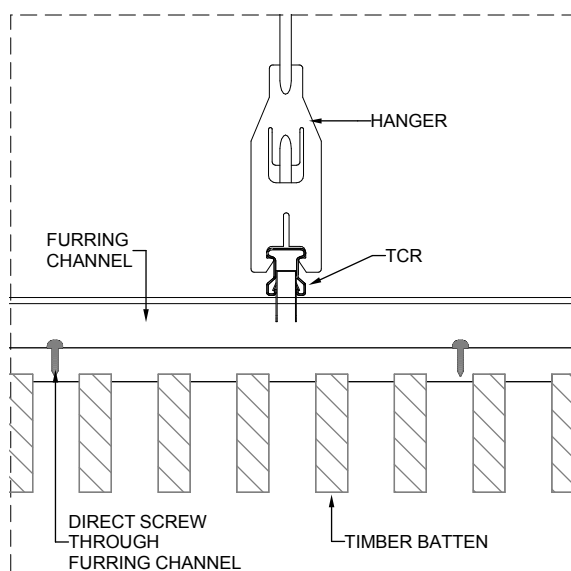
## EUROBLADE S1, S2, S3 TO CEILINGS

### Direct screw fix to grid - from above

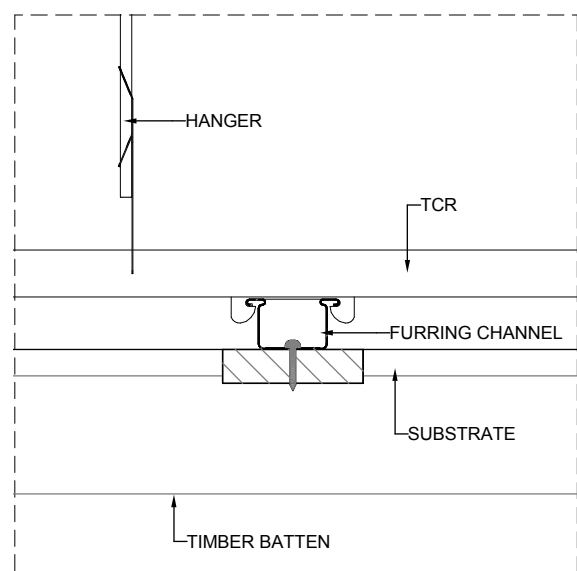


Panels are secured from above the grid, by screwing down through the furring channel into the back of the substrate crossmembers.

### Plan section showing direct screw fix to grid - from above



END SECTION



SIDE SECTION

COMPLETE YOUR DESIGN WITH **EUROPANEL**  
HELPLINE 02 8284 6410 [WWW.EUROPANEL.COM.AU](http://WWW.EUROPANEL.COM.AU)

