

# euroTEX acoustic systems

euroTEX fabric panels come in two thicknesses:

**SLIM**, has an overall thickness of 25mm and

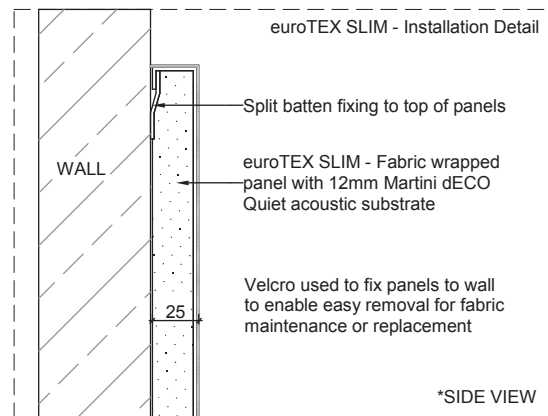
**CORE**, has an overall thickness of 45mm.

the difference between the two panel thicknesses is the *martini dECO Quiet* acoustic substrate, offering a choice of two different acoustic performances, depending on what level of absorption will suit your space best.

## euroTEX SLIM

### INSTALLATION DETAIL

Fabric wrapped panel with 12mm *martini dECO Quiet* acoustic substrate.



## euroTEX CORE

### INSTALLATION DETAIL

Fabric wrapped panel with 25mm *martini dECO Quiet* acoustic substrate.

