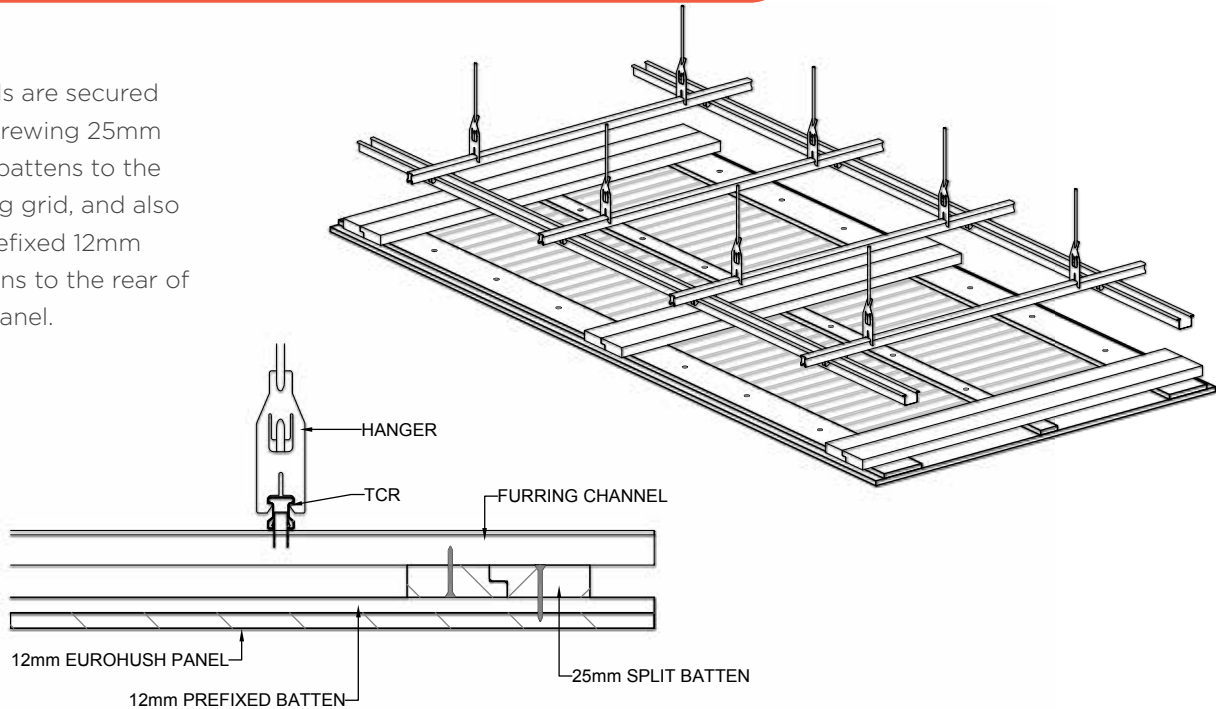


installation info

EUROHUSH TO CEILINGS

euroHush 25mm split battens to furring channel

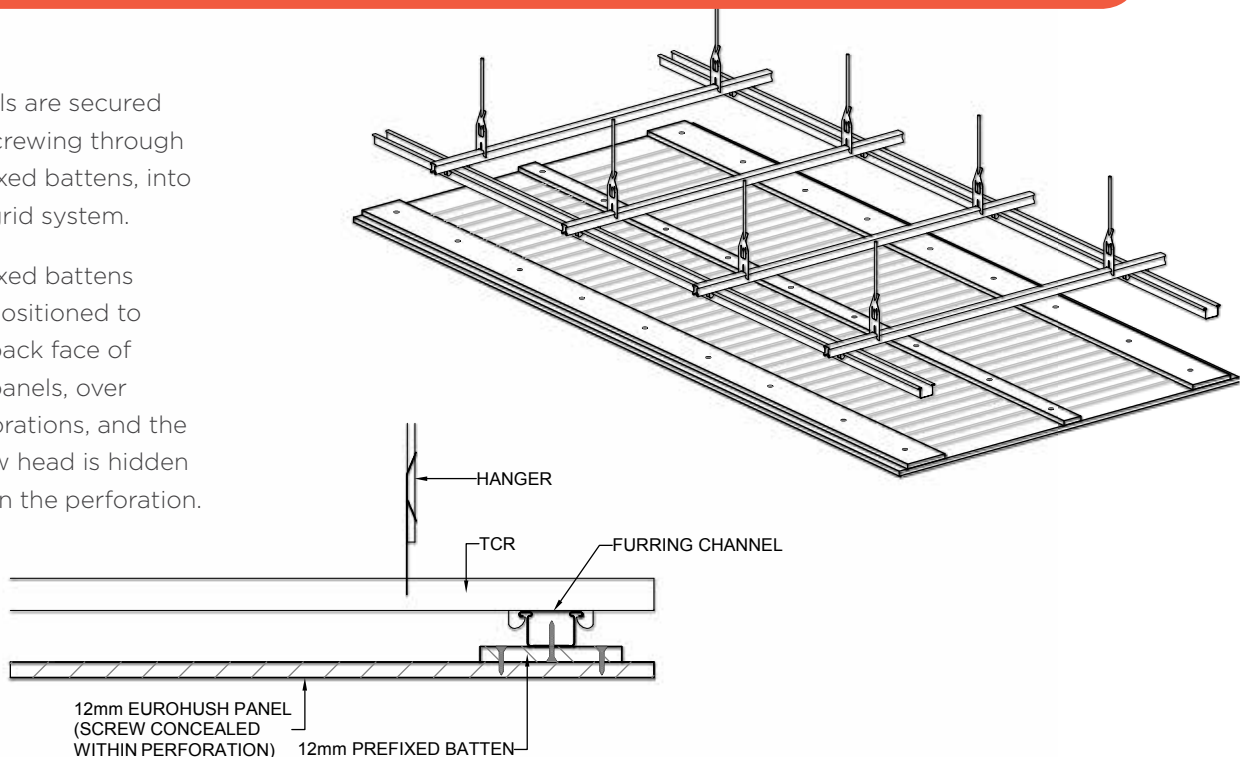
Panels are secured by screwing 25mm split battens to the ceiling grid, and also to prefixed 12mm battens to the rear of the panel.



euroHush direct screw fix to grid - from below with prefixed battens

Panels are secured by screwing through prefixed battens, into the grid system.

Prefixed battens are positioned to the back face of the panels, over perforations, and the screw head is hidden within the perforation.



COMPLETE YOUR DESIGN WITH **EUROPANEL**
HELPLINE 02 8284 6410 WWW.EUROPANEL.COM.AU

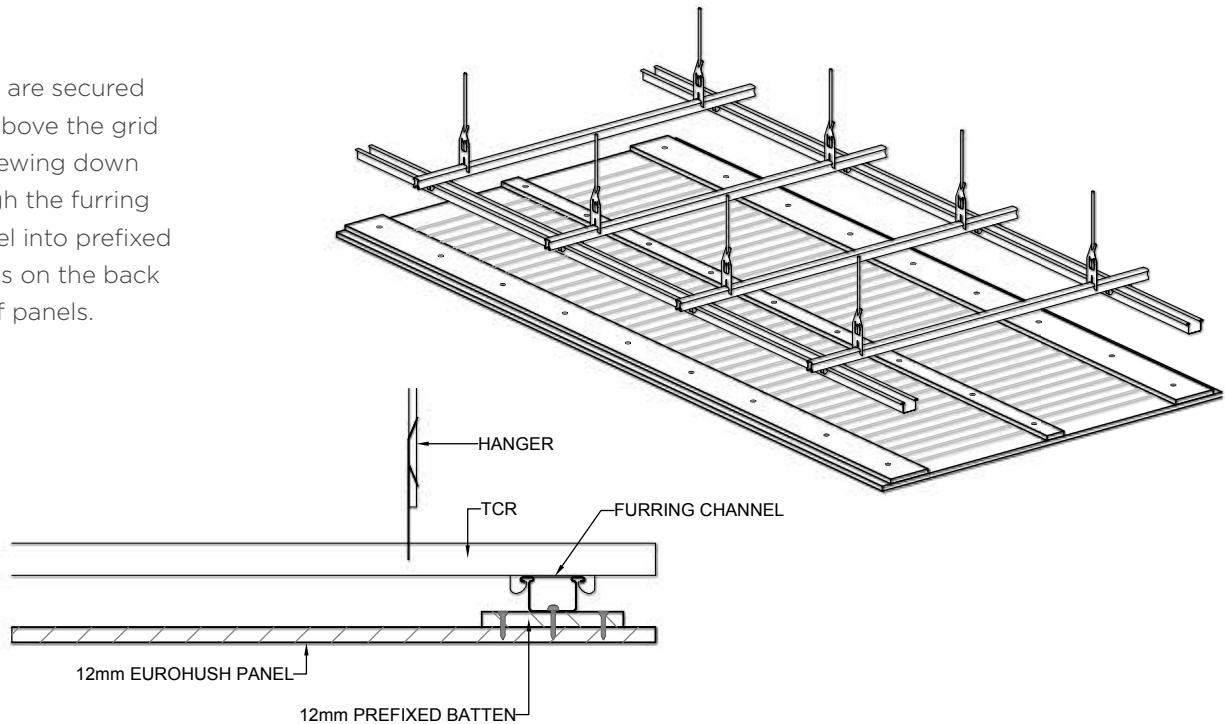

europanel
acoustic solutions

installation info

EUROHUSH TO CEILINGS

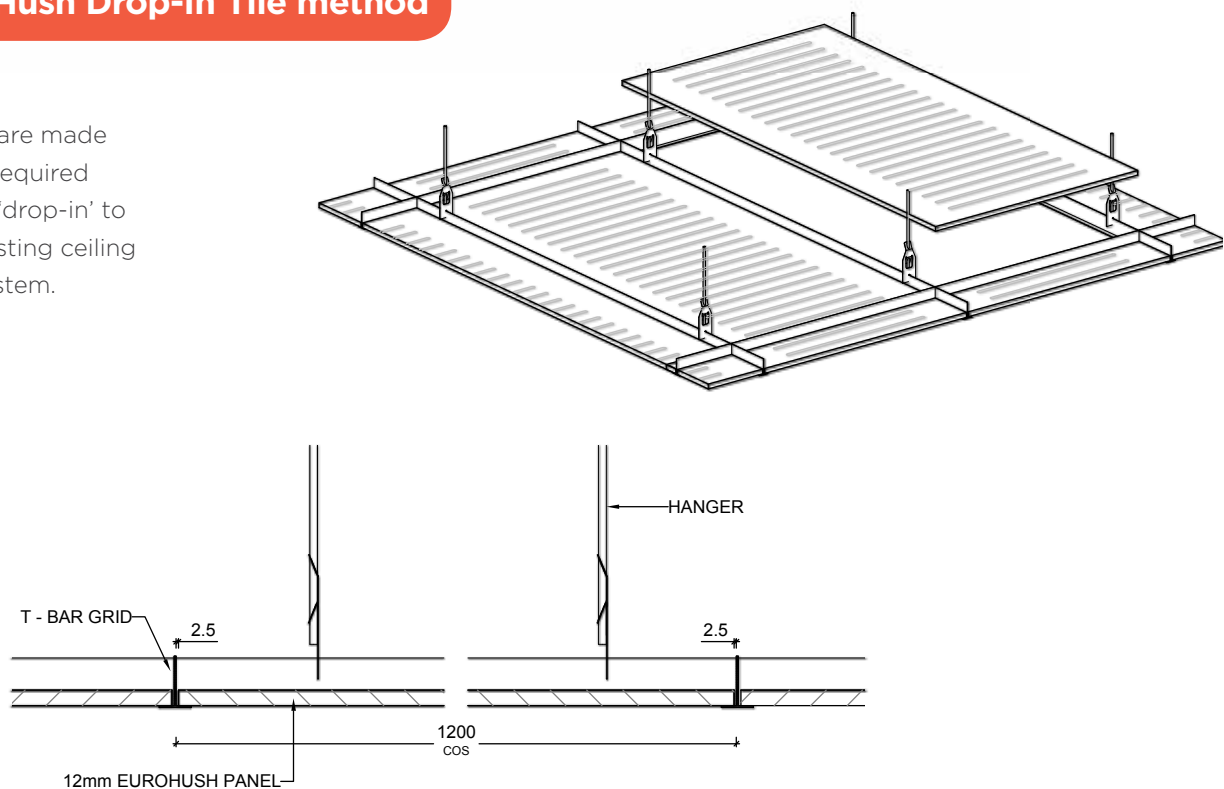
euroHush direct screw fix to grid – from above with prefixed battens

Panels are secured from above the grid by screwing down through the furring channel into prefixed battens on the back face of panels.



euroHush Drop-In Tile method

Panels are made to the required size to 'drop-in' to any existing ceiling grid system.



COMPLETE YOUR DESIGN WITH **EUROPANEL**
HELPLINE 02 8284 6410 WWW.EUROPANEL.COM.AU


europanel
acoustic solutions