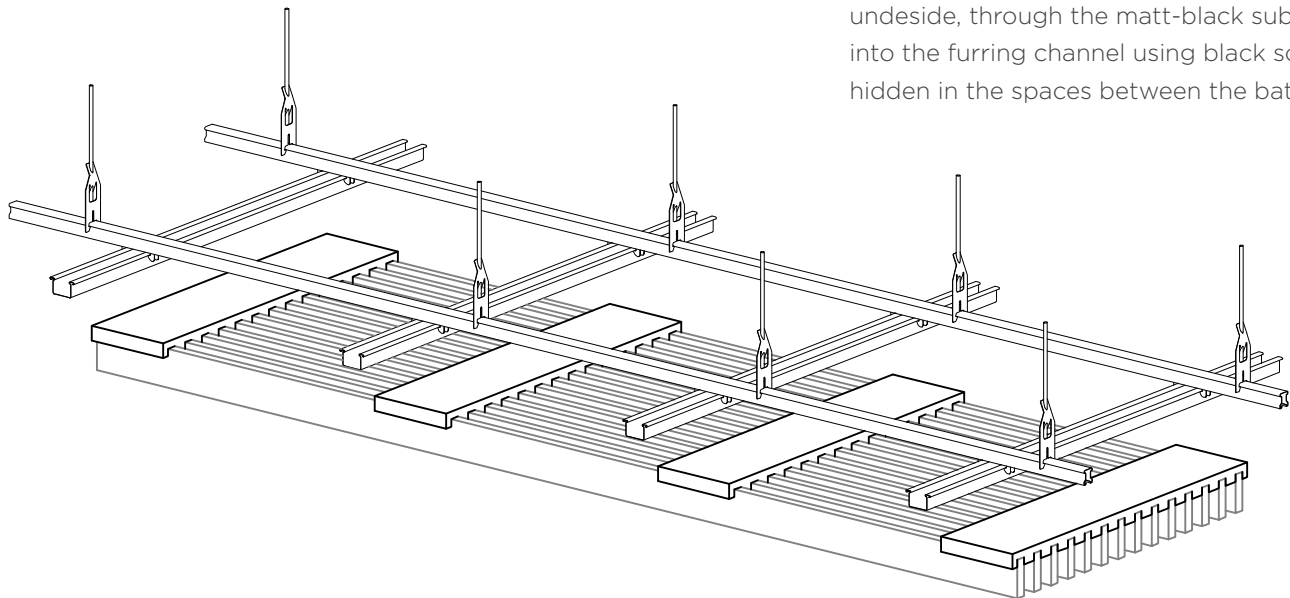


installation info

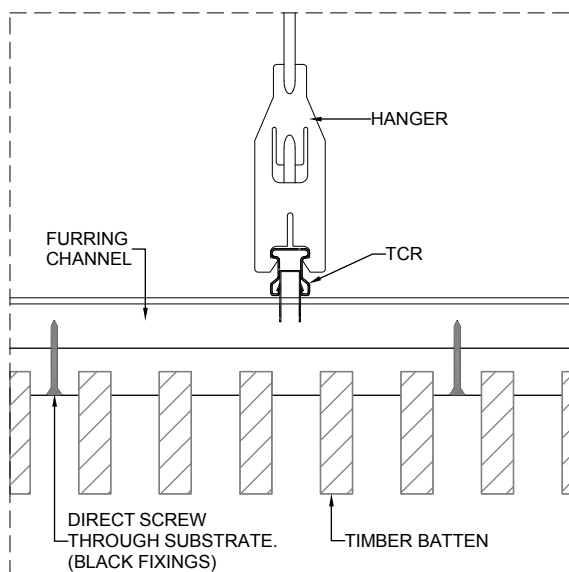
EUROBLADE S1, S2, S3 TO CEILINGS

Direct screw fix to grid - from below

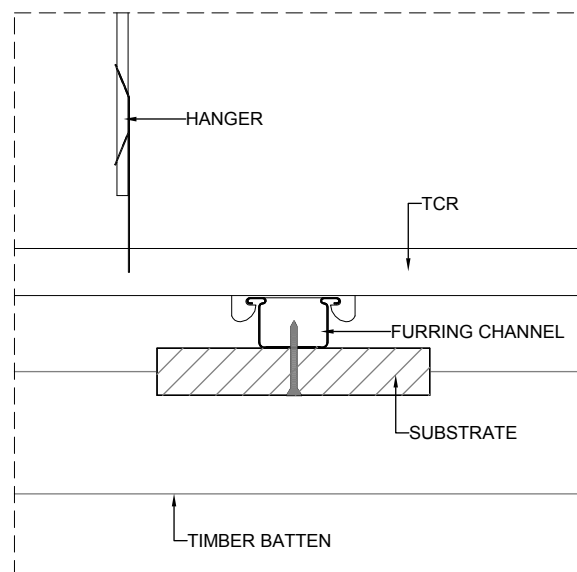


Panels are secured by fixing from the underside, through the matt-black substrate into the furring channel using black screws hidden in the spaces between the battens.

Plan section showing direct screw fix to grid - from below



END SECTION



SIDE SECTION

COMPLETE YOUR DESIGN WITH **EUROPANEL**
HELPLINE 02 8284 6410 WWW.EUROPANEL.COM.AU

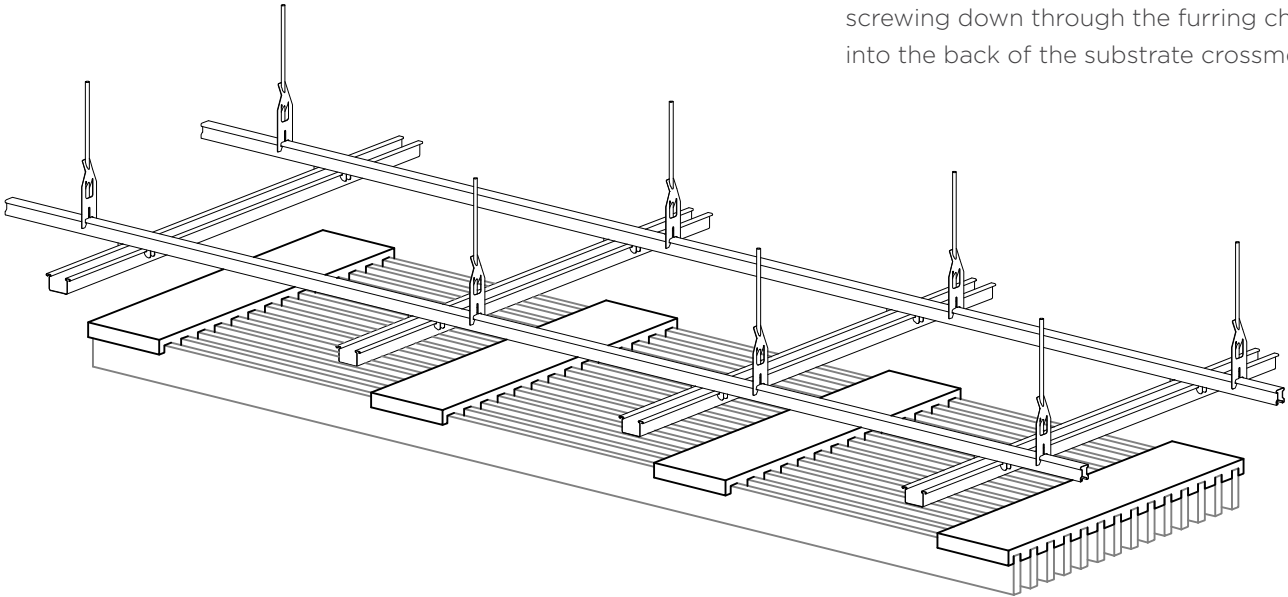

europanel
acoustic solutions

installation info

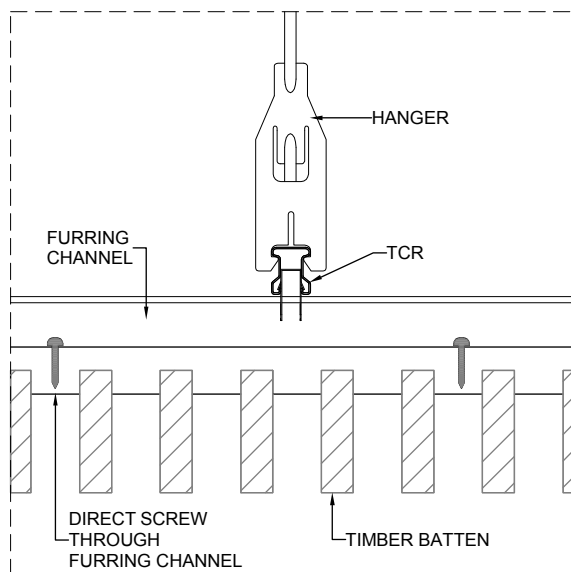
EUROBLADE S1, S2, S3 TO CEILINGS

Direct screw fix to grid - from above

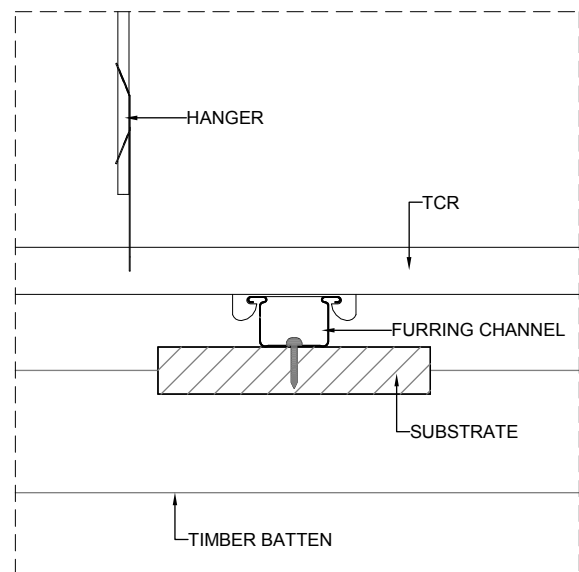
Panels are secured from above the grid, by screwing down through the furring channel into the back of the substrate crossmembers.



Plan section showing direct screw fix to grid - from above



END SECTION



SIDE SECTION

COMPLETE YOUR DESIGN WITH **EUROPANEL**
HELPLINE 02 8284 6410 WWW.EUROPANEL.COM.AU

