

# euroBlade S1

DESIGN SPECS

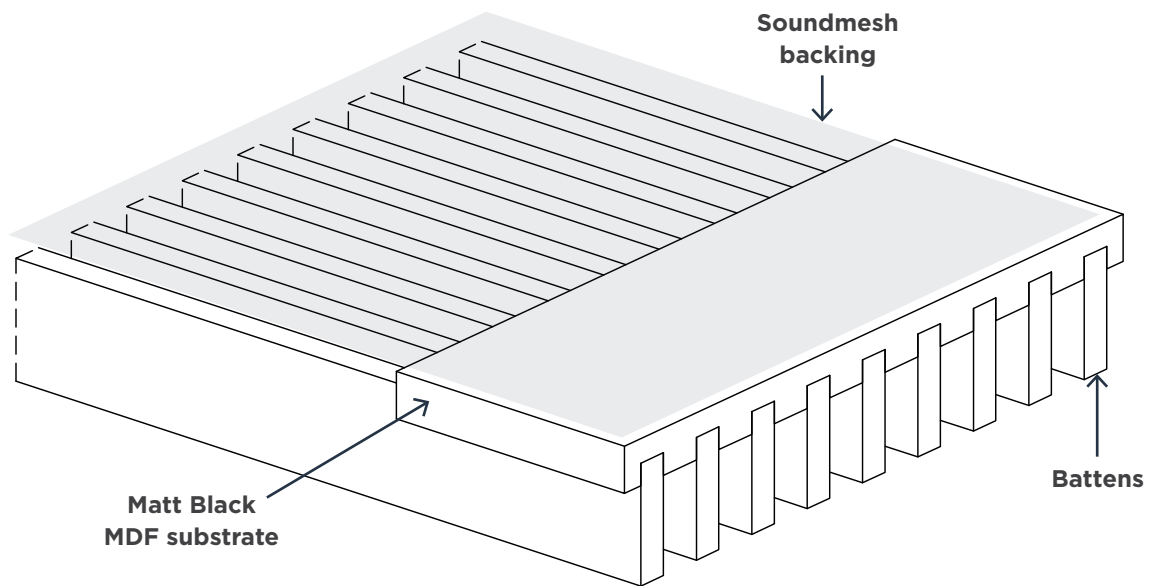
**europanel**  
acoustic solutions

## AVAILABLE IN:

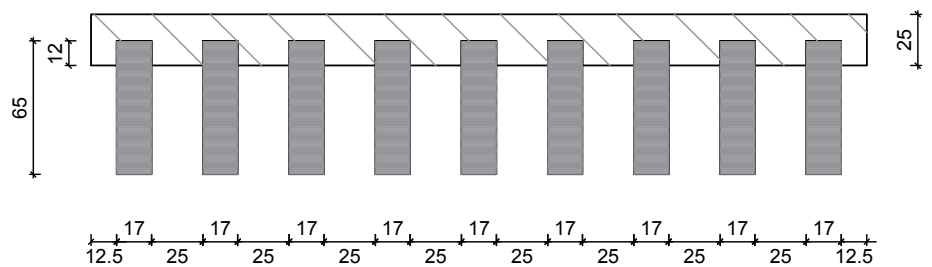
- Solid timber with clear satin finish
- Solid timber with white wash finish
- Solid timber with stained finishes with clear satin
- Any polyurethane colour from the Dulux range with satin finish
- Prefinished laminate colours on EO MDF battens

## GENERAL WEIGHTS PER M<sup>2</sup>:

Western Red Cedar	15kg/m <sup>2</sup>
American White Oak & Tasmanian Oak	23kg/m <sup>2</sup>
Spotted Gum & Blackbutt	29kg/m <sup>2</sup>
Polyurethane on MDF	27kg/m <sup>2</sup>
Prefinished laminate	27kg/m <sup>2</sup>



**BATTEN SIZES AND SPACINGS CAN BE CUSTOMISED TO SUIT YOUR DESIGN CONCEPT**



## How to specify

EXAMPLE SPECIFICATION:

**EB-S1-T-WESTERN RED CEDAR**

PRODUCT	DESIGN	FINISH	OTHER
<b>EB</b> euroBlade	<b>S#</b> Standard	<b>T</b> Timber	<b>?</b> Species/colour
	<b>C#</b> Custom	<b>PR</b> Prefinished	
		<b>PO</b> Polyurethane	

COMPLETE YOUR DESIGN WITH **EUROPANEL**  
HELPLINE 02 8284 6410 [WWW.EUROPANEL.COM.AU](http://WWW.EUROPANEL.COM.AU)

# euroBlade S2

DESIGN SPECS

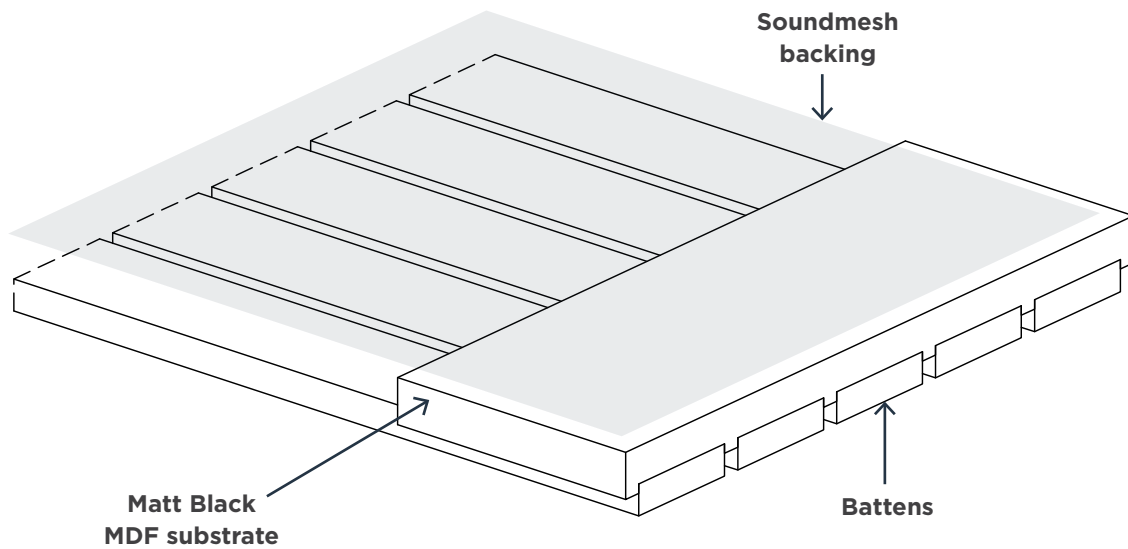
**europanel**  
acoustic solutions

## AVAILABLE IN:

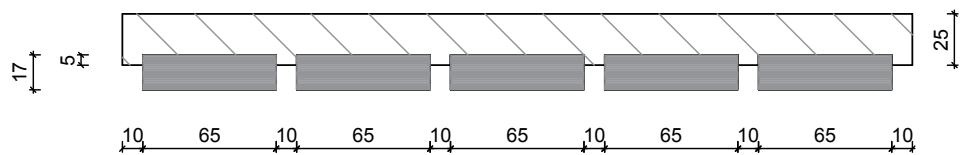
- Solid timber with clear satin finish
- Solid timber with white wash finish
- Solid timber with stained finishes with clear satin
- Any polyurethane colour from the Dulux range with satin finish
- Prefinished laminate colours on EO MDF battens

## GENERAL WEIGHTS PER M<sup>2</sup>:

Western Red Cedar	11kg/m <sup>2</sup>
American White Oak & Tasmanian Oak	15kg/m <sup>2</sup>
Spotted Gum & Blackbutt	19kg/m <sup>2</sup>
Polyurethane on MDF	18kg/m <sup>2</sup>
Prefinished laminate	18kg/m <sup>2</sup>



**BATTEN SIZES AND SPACINGS CAN BE CUSTOMISED TO SUIT YOUR DESIGN CONCEPT**



## How to specify

EXAMPLE SPECIFICATION:

**EB-S2-T-WESTERN RED CEDAR**

PRODUCT	DESIGN	FINISH	OTHER
<b>EB</b> euroBlade	<b>S#</b> Standard	<b>T</b> Timber	<b>?</b> Species/colour
	<b>C#</b> Custom	<b>PR</b> Prefinished	
		<b>PO</b> Polyurethane	

COMPLETE YOUR DESIGN WITH **EUROPANEL**  
HELPLINE 02 8284 6410 [WWW.EUROPANEL.COM.AU](http://WWW.EUROPANEL.COM.AU)

# euroBlade S3

DESIGN SPECS

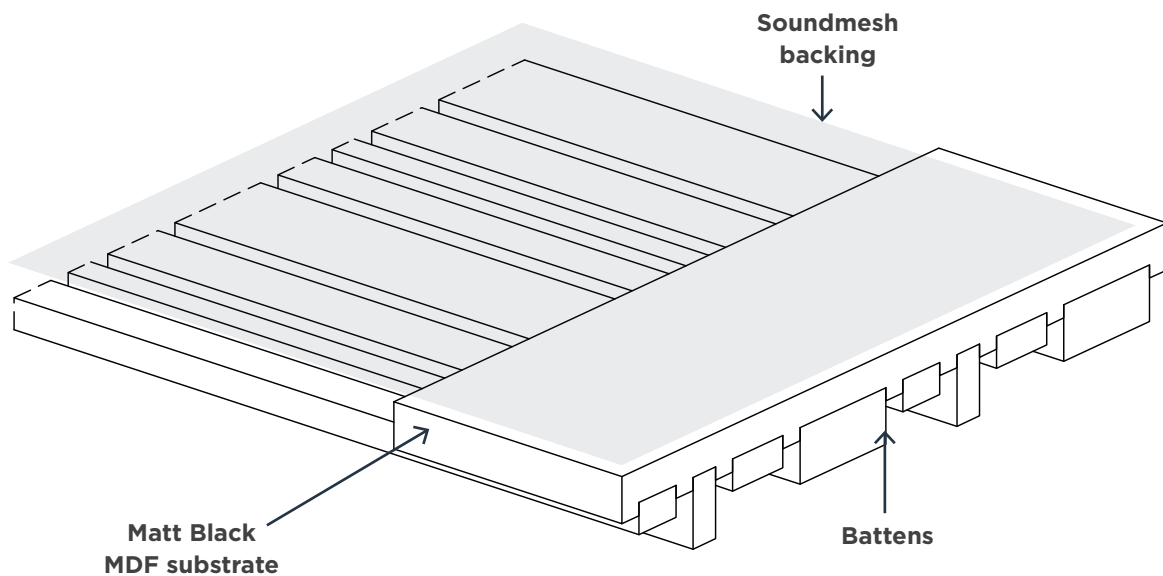
**europanel**  
acoustic solutions

## AVAILABLE IN:

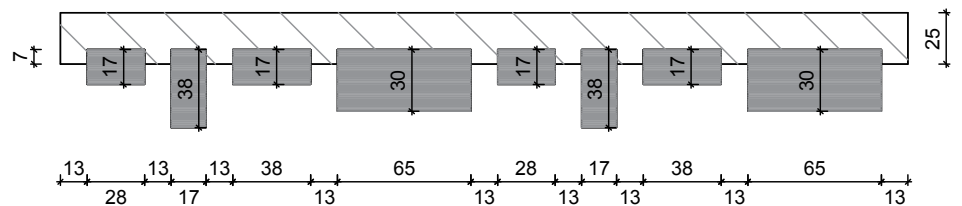
- Solid timber with clear satin finish
- Solid timber with white wash finish
- Solid timber with stained finishes with clear satin
- Any polyurethane colour from the Dulux range with satin finish
- Prefinished laminate colours on EO MDF battens

## GENERAL WEIGHTS PER M<sup>2</sup>:

Western Red Cedar	12kg/m <sup>2</sup>
American White Oak & Tasmanian Oak	18kg/m <sup>2</sup>
Spotted Gum & Blackbutt	21kg/m <sup>2</sup>
Polyurethane on MDF	19kg/m <sup>2</sup>
Prefinished laminate	19kg/m <sup>2</sup>



**BATTEN SIZES AND SPACINGS CAN BE CUSTOMISED TO SUIT YOUR DESIGN CONCEPT**



## How to specify

EXAMPLE SPECIFICATION:

**EB-S3-T-WESTERN RED CEDAR**

PRODUCT	DESIGN	FINISH	OTHER
<b>EB</b> euroBlade	<b>S#</b> Standard	<b>T</b> Timber	<b>?</b> Species/colour
	<b>C#</b> Custom	<b>PR</b> Prefinished	
		<b>PO</b> Polyurethane	

COMPLETE YOUR DESIGN WITH **EUROPANEL**  
HELPLINE 02 8284 6410 [WWW.EUROPANEL.COM.AU](http://WWW.EUROPANEL.COM.AU)