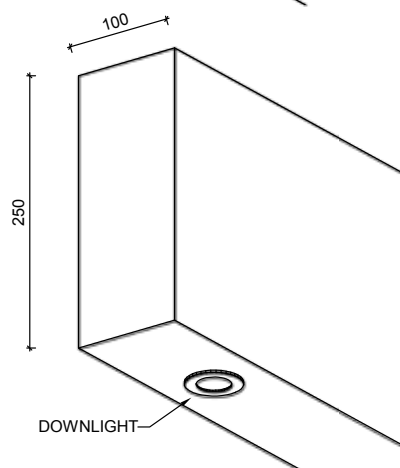
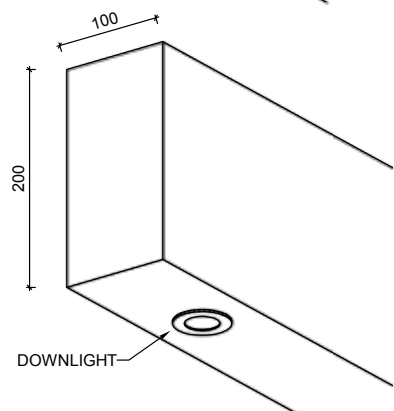
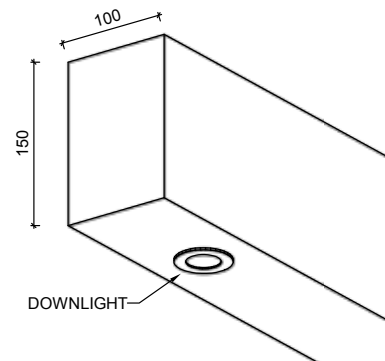
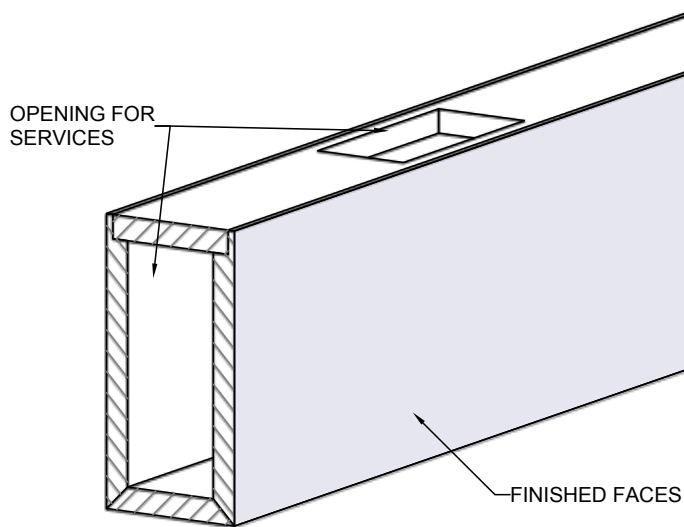


euroSpline custom

The euroSpline customised hollow construction beam is designed to enable services to be easily hidden inside the beam.



euroSpline is not an “off the shelf” prefabricated product. Every project is approached as custom joinery and is designed and shop drawn individually to meet your requirements.

Choose from one of our standard S1 or S2 beam designs, or create your own. euroSpline can be customised in design, size, colour and finish.

europanel is enthusiastic about design and are happy to provide designers and architects with information and advice during the design process of any intended perforation style.

Colours & finishes

Custom designed beams are available in all finishes from the europanel range. This includes:

Any veneer
finished in satin
clear polyurethane
from any supplier

OR

Any polyurethane
colour from
the Dulux
colour range

OR

Any prefinished laminate from
the Polytec range and most
laminate colours available
from other suppliers.