

euroSpline standard lightweight substrates

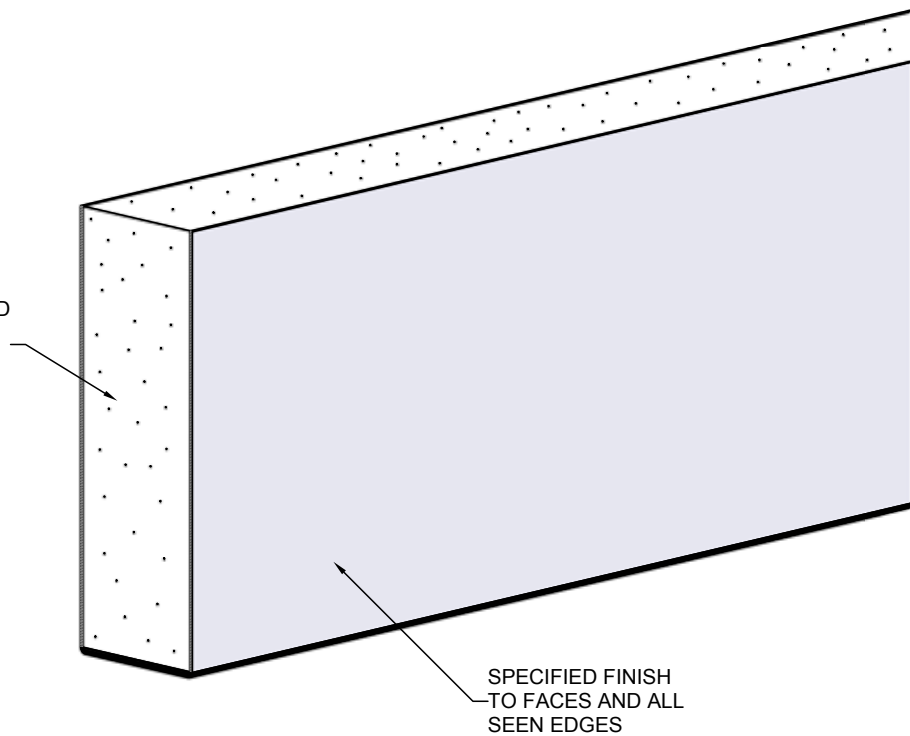
euroSpline is a lightweight beam product custom made in any length, width or thickness to suit your design. Available in two lightweight substrates, euroSpline features unique hollow construction to enable the concealment of services within.

europanel use two substrate types for our lightweight euroSpline product, both offering different finishing options.

1. light density fibreboard substrate

AVAILABLE IN LENGTHS
UP TO 3600MM

LIGHT DENSITY FIBREBOARD
SUBSTRATE IN
25, 32, 50mm
THICKNESSES



Colours & finishes

Our Light Density Fibreboard (LDF) substrate beams are available in all finishes from the europanel range. This includes:

Any veneer from
any supplier

OR

Any polyurethane
colour from
the Dulux
colour range

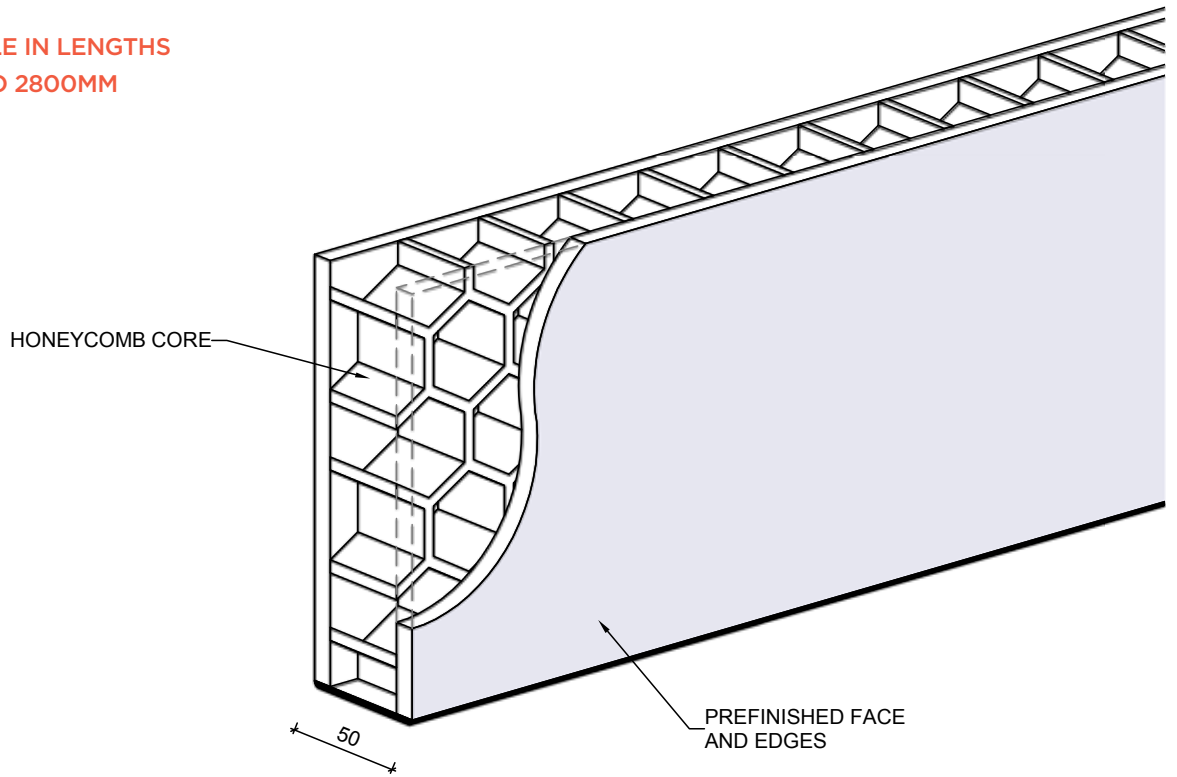
OR

Any prefinished laminate from
the Polytec range and most
laminate colours available
from other suppliers.

2. cardboard core substrate

euroSpline is available in a unique Honeycomb Cardboard Core substrate. This lightweight beam has thin side walls that can be finished in a range of prefinished laminate colours, shown below. Due to its increased lightweight capabilities, the euroSpline Cardboard Core substrate is perfect for large sized beam designs,

AVAILABLE IN LENGTHS
UP TO 2800MM

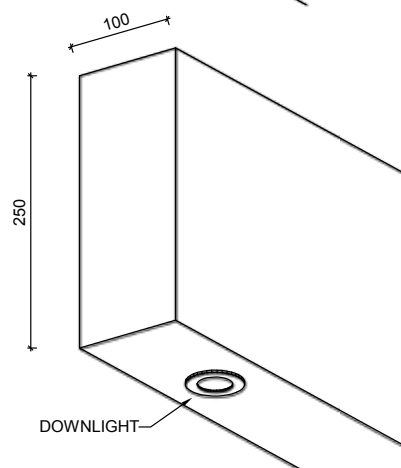
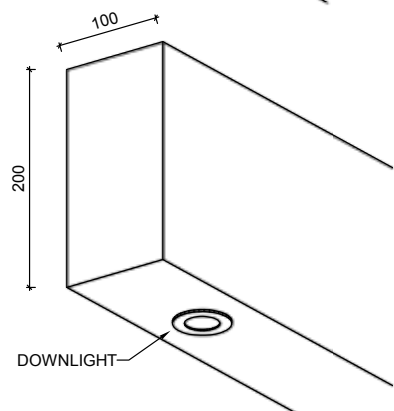
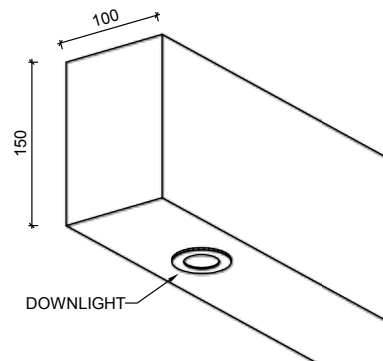
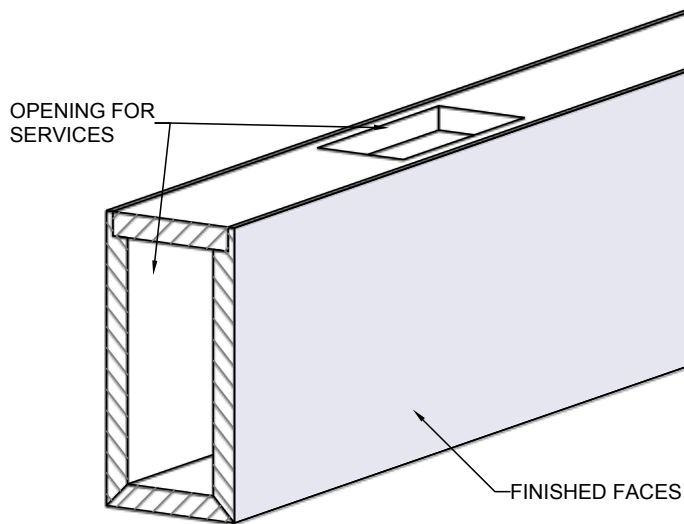


Colours & finishes



euroSpline custom

The euroSpline customised hollow construction beam is designed to enable services to be easily hidden inside the beam.



euroSpline is not an “off the shelf” prefabricated product. Every project is approached as custom joinery and is designed and shop drawn individually to meet your requirements.

Choose from one of our standard S1 or S2 beam designs, or create your own. euroSpline can be customised in design, size, colour and finish.

europanel is enthusiastic about design and are happy to provide designers and architects with information and advice during the design process of any intended perforation style.

Colours & finishes

Custom designed beams are available in all finishes from the europanel range. This includes:

Any veneer
finished in satin
clear polyurethane
from any supplier

OR

Any polyurethane
colour from
the Dulux
colour range

OR

Any prefinished laminate from
the Polytec range and most
laminate colours available
from other suppliers.